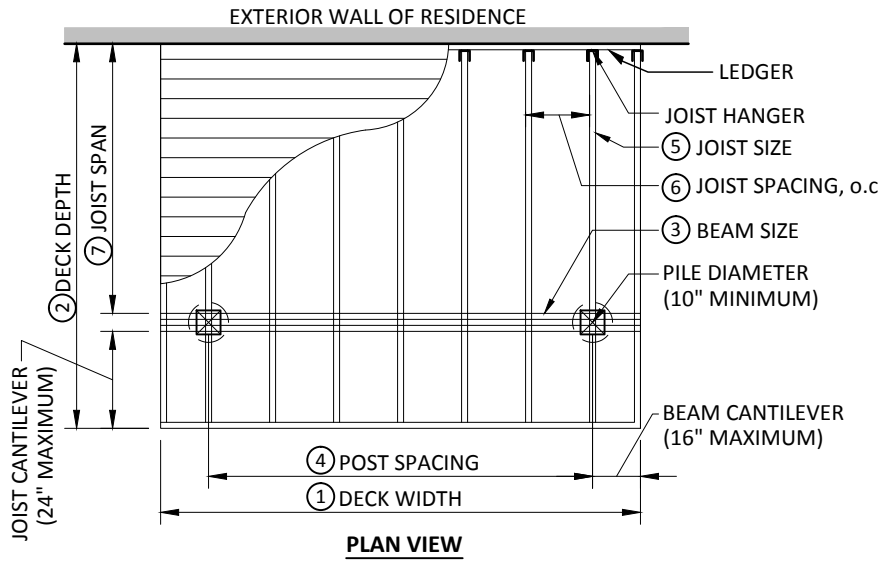


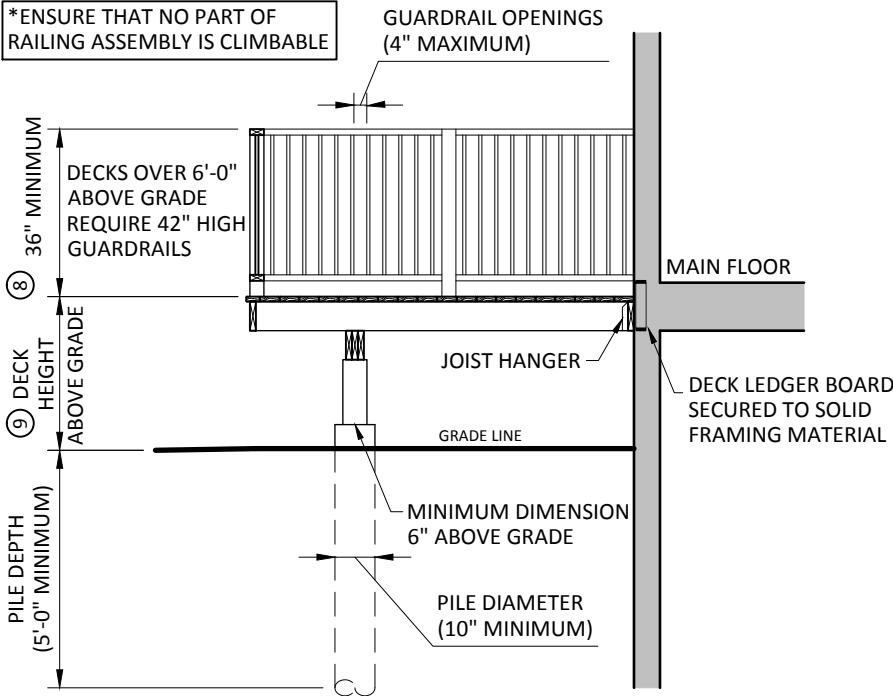
UNCOVERED DECK APPLICATION DETAIL SHEET

Civic Address: _____

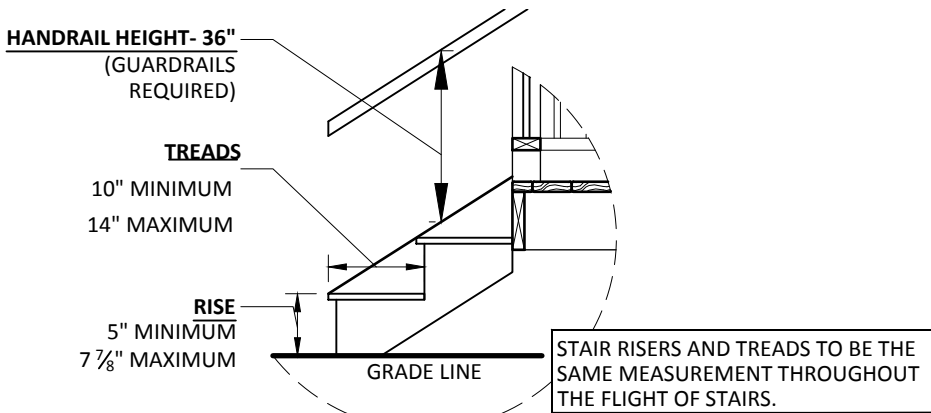


PLAN VIEW

***ENSURE THAT NO PART OF RAILING ASSEMBLY IS CLIMBABLE**



CROSS SECTION



STAIR ELEVATION

COMPLETE BELOW:

- ① DECK WIDTH _____
- ② DECK DEPTH _____
- ③ BEAM SIZE _____ PLY 2x _____
- ④ POST SPACING _____
- ⑤ JOIST SIZE _____
- ⑥ JOIST SPACING _____ O.C.
- ⑦ JOIST SPAN _____
- ⑧ RAILING HEIGHT _____
- ⑨ DECK HEIGHT ABOVE GRADE _____

***NOTE:**

1. DECKS TO BE INSPECTED AFTER STAIRS, GUARDS AND RAILINGS ARE COMPLETED. PROVIDE ACCESS TO THE UNDERSIDE OF THE DECK.
2. IF A ROOF OR OTHER STRUCTURE WILL BE CONSTRUCTED OVER THE DECK, AN APPROVED PERMANENT FOUNDATION IS REQUIRED. DETAILS MUST BE SUBMITTED FOR REVIEW.
3. SKETCHES SUPPLIED ON THIS PAGE ARE FOR CLARIFICATION PURPOSES.

MAXIMUM FRAMING SPAN

JOIST SIZE	16" o.c.	24" o.c.
2 x 6	9'-0"	7'-9"
2 x 8	11'-6"	9'-6"
2 x 10	14'-0"	11'-6"
Post Spacing	Joist Span	Beam Size
6'-0"	8'-0"	2 - 2x 6
	9'-0"	2 - 2x 6
	10'-0"	2 - 2x 8
	11'-0"	2 - 2x 6
	12'-0"	2 - 2x 6
8'-0"	8'-0"	2 - 2x 8
	9'-0"	2 - 2x 8
	10'-0"	2 - 2x 8
	11'-0"	2 - 2x 8
	12'-0"	2 - 2x 10
10'-0"	14'-0"	2 - 2x 10
	8'-0"	3 - 2x 8
	9'-0"	3 - 2x 10
	10'-0"	3 - 2x 10
	11'-0"	3 - 2x 10
	12'-0"	3 - 2x 10
	14'-0"	3 - 2x 10